

QUIET RUNNING

HORIZONTAL MULTI-STAGE CENTRIFUGAL PUMPS

Applications:

To work with clean water in domestic applications, irrigation, and hydropneumatic sets.



THREE PHASES



HMP20P

Quiet running horizontal multi-stage centrifugal pumps.

Materials:

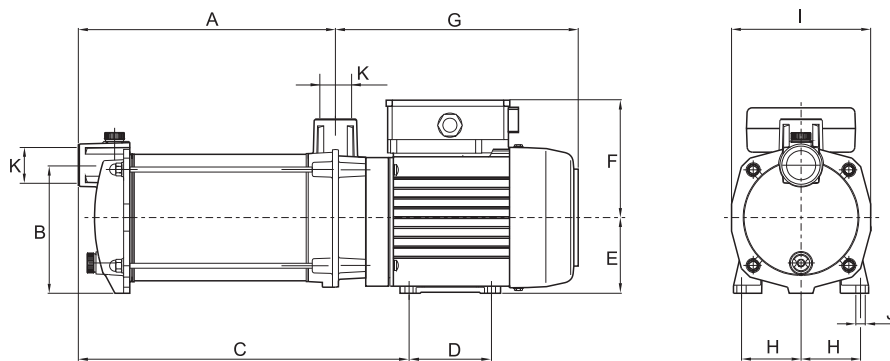
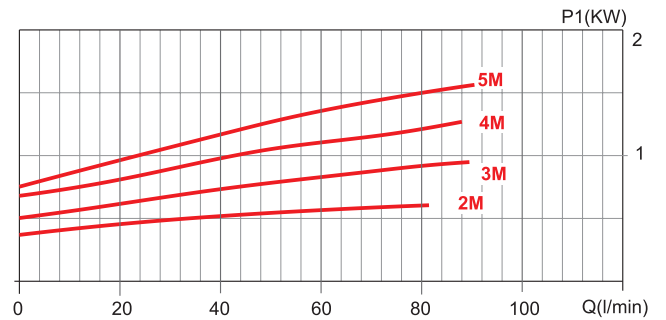
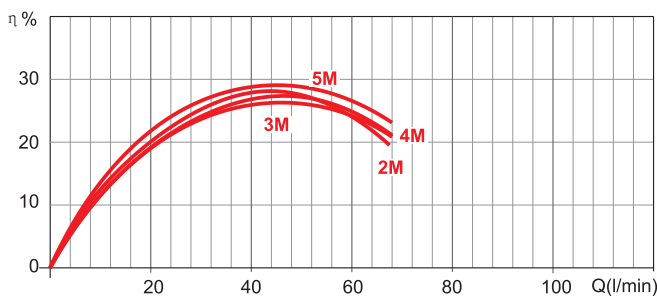
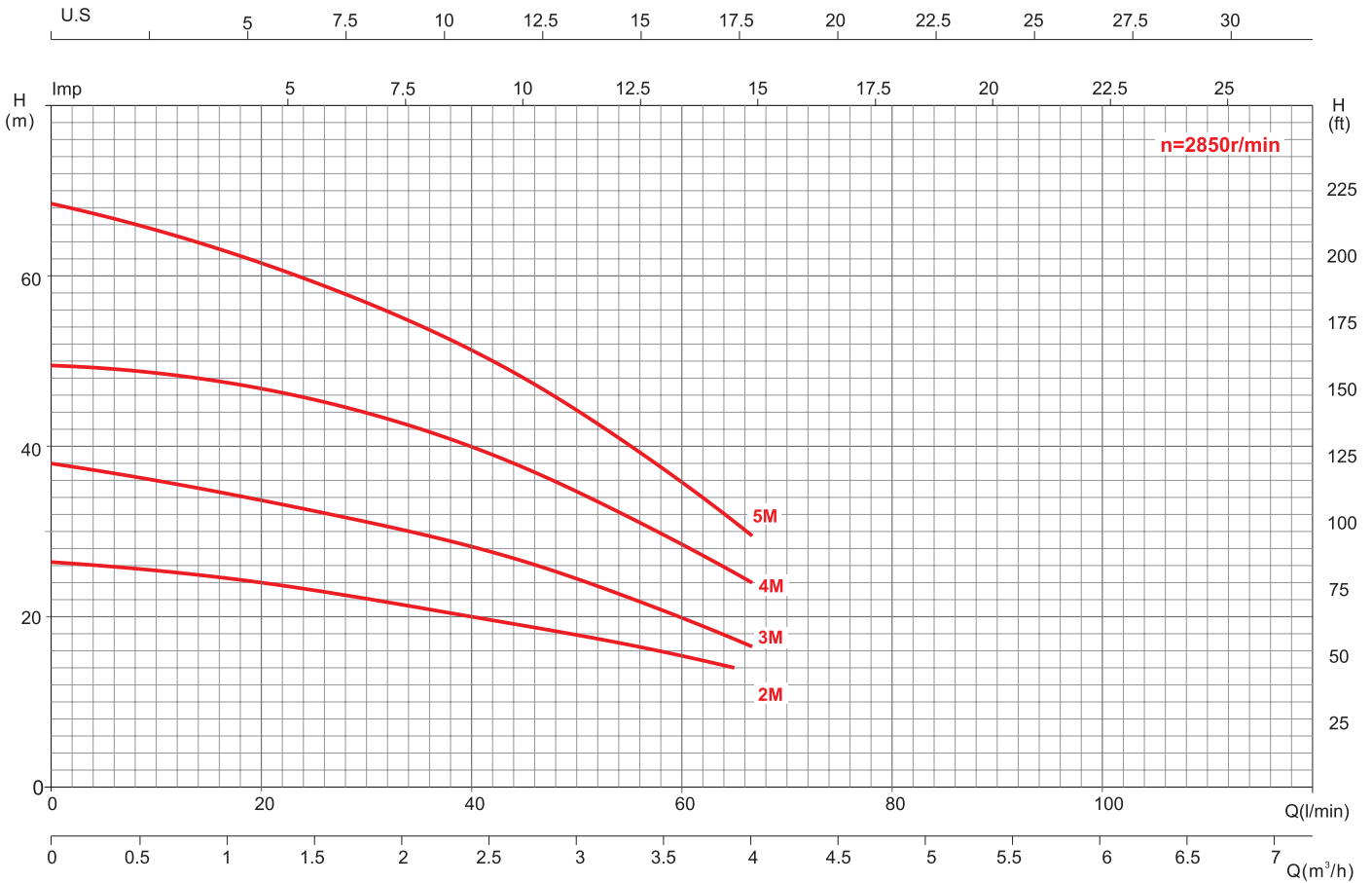
Pump body and impellers in stainless steel AISI-304.
 Motor shaft in stainless steel AISI-420.
 Diffusers in glass loaded polymer.
 Suction and discharge mountings in cast iron.
 Mechanical seal in graphite and steatite / upon request.
 Motor housing in aluminium L-2521.
 Self-priming up to 2m. For domestic and industrial supplies, irrigation and hydropneumatic sets.

Motor:

Asynchronous, two poles.
 IP 55 protection.
 Class F insulation.
 Continuous operation.
 Single phase version built-in thermal protector upon request.

TECHNICAL DATA

Model	KW	V		A		P1(KW)		Q	L/min	0	26.7	45	54	66.7
		1~	3~	1~	3~	1~	3~							
		50HZ	50HZ	220	380	1~	3~							
HMP20P-2M	0.37	220	380	2.9	1.5	0.8	0.8	H(m)	26.5	23	19	17		
HMP20P-3M	0.55	220	380	3.6	1.9	1.0	0.9		38.5	32.5	27	23.2	17	
HMP20P-4M	0.75	220	380	5.0	2.3	1.2	1.1		50.0	45.5	38	32.8	24.5	
HMP20P-5M	0.92	220	380	6.4	2.5	1.4	1.3		67.0	59.0	48.5	41.5	41.5	



DIMENSIONS

Model	A	B	C	D	E	F	G	H	I	J	K	Kg
HMP20P-2M	142	130	198	82	71	115	235	59	140	8	1 ¹ / ₄ "	12
HMP20P-3M	163	130	219	82	71	115	235	59	140	8	1 ¹ / ₄ "	12.6
HMP20P-4M	184	130	240	82	71	115	235	59	140	8	1 ¹ / ₄ "	14
HMP20P-5M	205	130	261	82	71	116	235	59	140	8	1 ¹ / ₄ "	17