

# QUIET RUNNING

## HORIZONTAL MULTI-STAGE CENTRIFUGAL PUMPS

### Applications:

To work with clean water in domestic applications, irrigation, and hydropneumatic sets.



SINGLE PHASE

# HMP35/35P

Quiet running horizontal multi-stage centrifugal pumps.

### Materials:

Pump body and impellers in stainless steel AISI-304.

Motor shaft in stainless steel AISI-420.

Diffusers in glass loaded polymer.

Suction and discharge mountings in cast iron.

Mechanical seal in graphite and steatite / upon request.

Motor housing in aluminium L-2521.

HMP-P self-priming up to 2m. For domestic and industrial supplies, irrigation and hydropneumatic sets.

HMP built-in self-priming valve, not very sensitive to impurities. Self-priming up to 9m. To work with clean water in domestic and industrial application, irrigation, and pressure sets.

### Motor:

Asynchronous, two poles.

IP 55 protection.

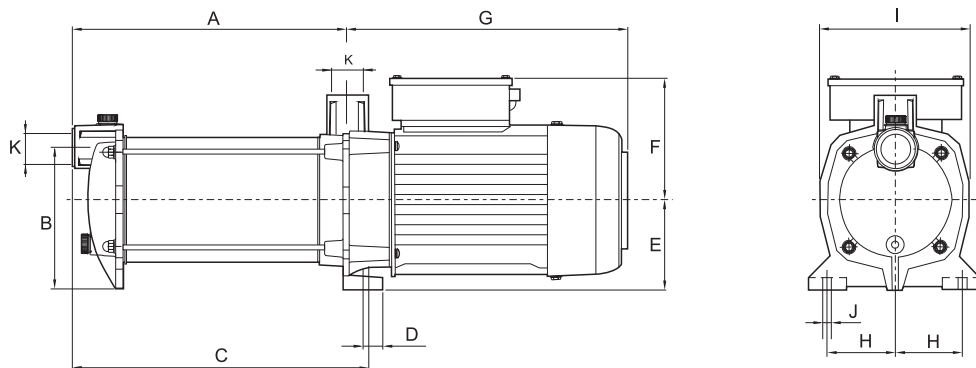
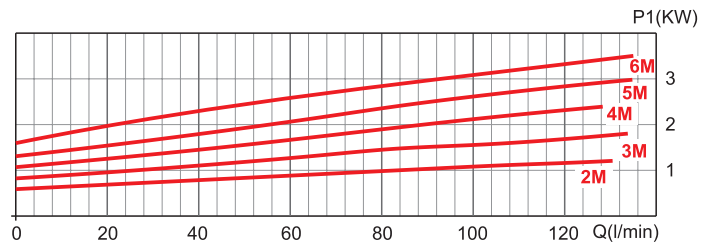
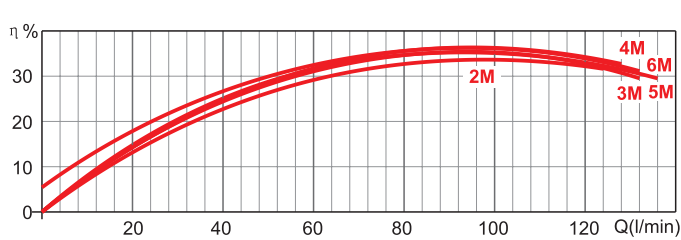
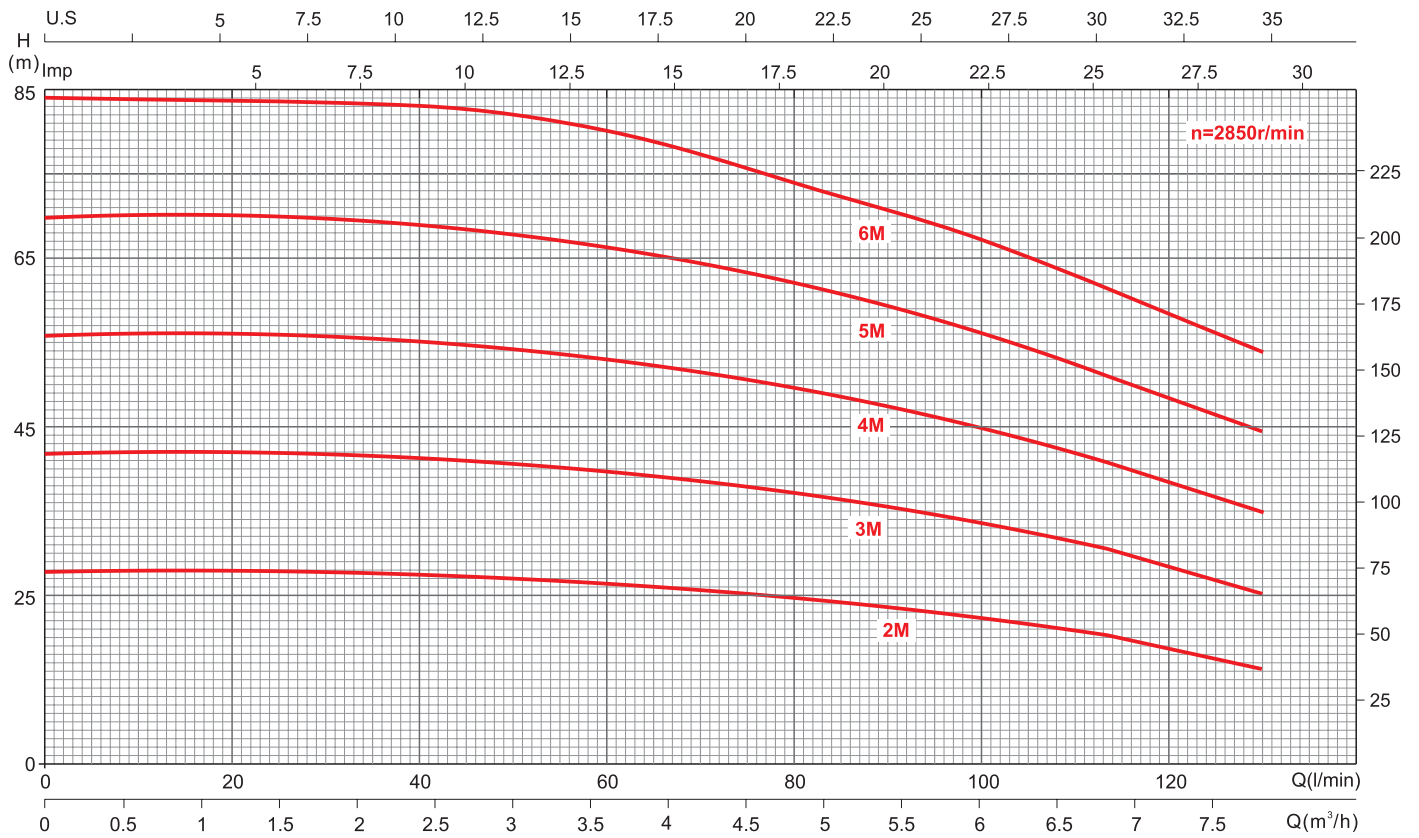
Class F insulation.

Continuous operation.

Single phase version built-in thermal protector upon request.

### TECHNICAL DATA

Model	KW	V		A		P1(KW)		Q	L/min	0	57	95	114	133
		1~	3~	1~	3~	1~	3~							
		50HZ	50HZ	220	380	1.4	1.3							
HMP35/35P-2M	1.1	220	380	6.3	2.6	1.4	1.3	H(m)	m <sup>3</sup> /h	0	3.4	5.7	6.8	8.0
HMP35/35P-3M	1.5	220	380	8.0	3	1.8	1.7		28	27	23	20	18	
HMP35/35P-4M	1.8	220	380	10.1	4	2.3	2.2		42	40	35	31	25	
HMP35/35P-5M	2.2	220	380	13.1	4.8	2.7	2.7		56	54	46	41	33	
HMP35/35P-6M	2.7		380		5.8		3.5		70	67	58	51	40	
									84	80	70	62	51	



#### DIMENSIONS

Model	A	B	C	D	E	F	G	H	I	J	K	Kg
HMP35/35P-2M	207	145	237	18	90	105	275	60	160	11	1 $\frac{1}{4}$ "	19.0
HMP35/35P-3M	234.5	145	263.5	18	90	105	275	60	160	11	1 $\frac{1}{4}$ "	20.1
HMP35/35P-4M	262	145	290	18	90	105	275	60	160	11	1 $\frac{1}{4}$ "	21.4
HMP35/35P-5M	289.5	145	337.5	18	90	105	296	60	160	11	1 $\frac{1}{4}$ "	22.6
HMP35/35P-6M	317	145	365	18	90	105	296	60	160	11	1 $\frac{1}{4}$ "	24